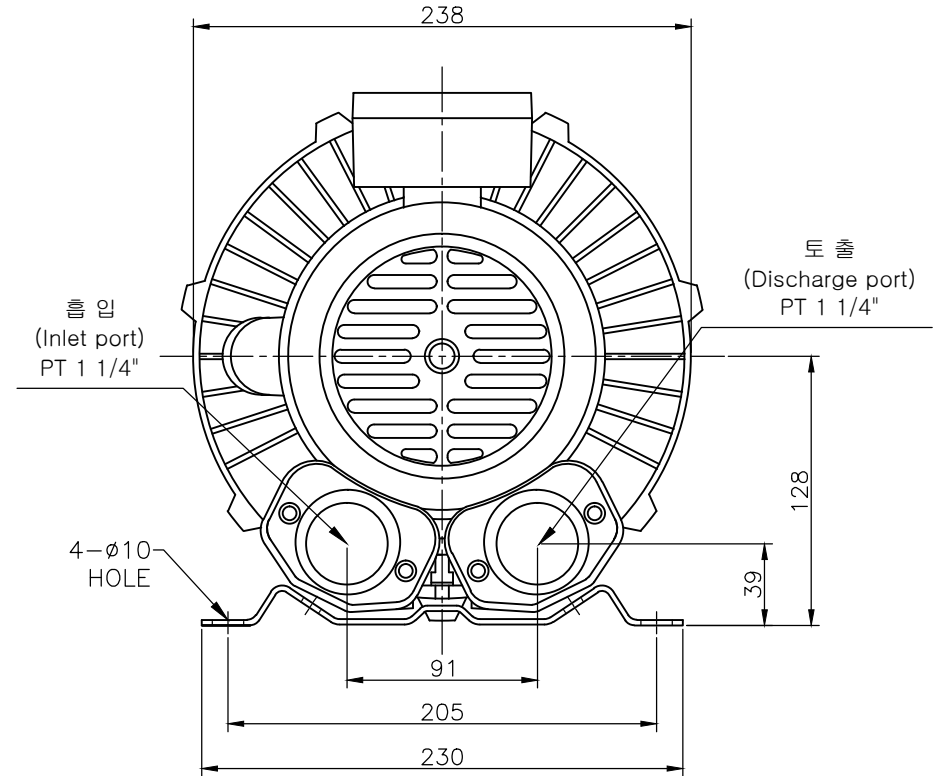
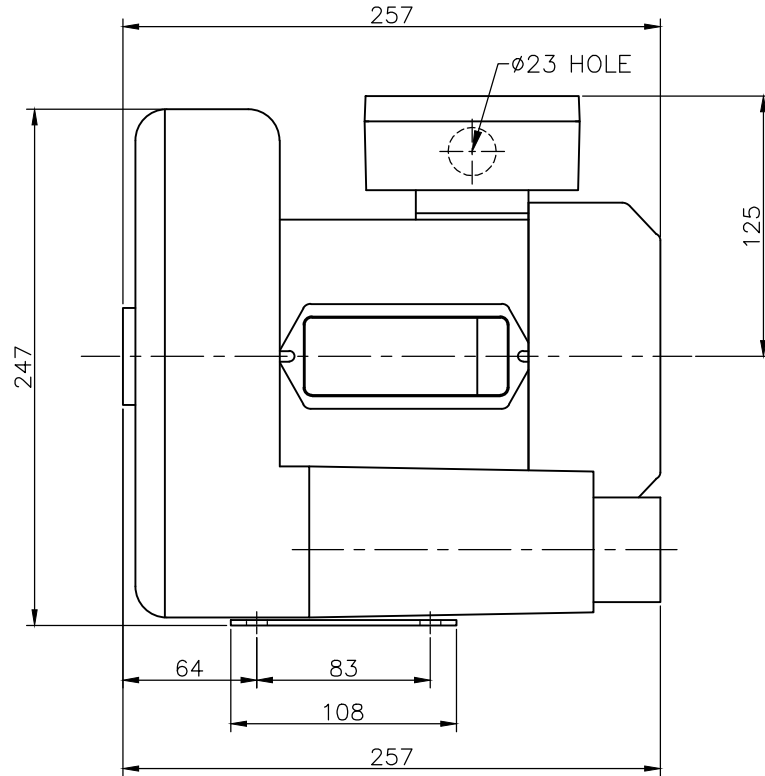


NOTE 1)



|                            |          |         |             |               |           |         |       |  |
|----------------------------|----------|---------|-------------|---------------|-----------|---------|-------|--|
| △                          |          | 00      |             |               |           |         |       |  |
| No.                        | Revision |         |             | Date          | Draw      | Check   | Appr. |  |
| 형식<br>TYPE                 | HRB-101  |         | 도명<br>TITLE | OUTWARD DWG.  |           |         |       |  |
| DRAWN                      | DESIGN   | CHECKED | APPROVED    | 3RD ANGLE     | SCALE:1/1 | UNIT:mm |       |  |
| B.S.Kim                    |          |         |             | SIZE          |           |         |       |  |
| 13.04.22                   |          |         |             |               |           |         |       |  |
| 黄海電機<br>HWANG HAE ELECTRIC |          |         |             | 도번<br>DWG. No | BOD00000  |         | △     |  |