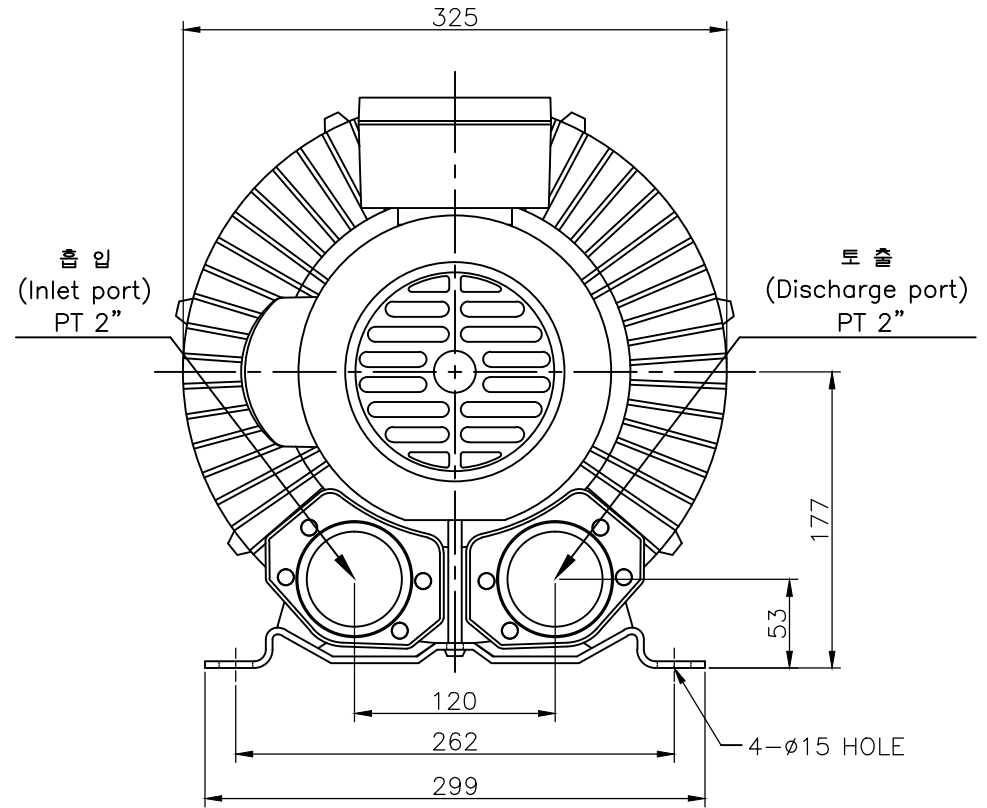
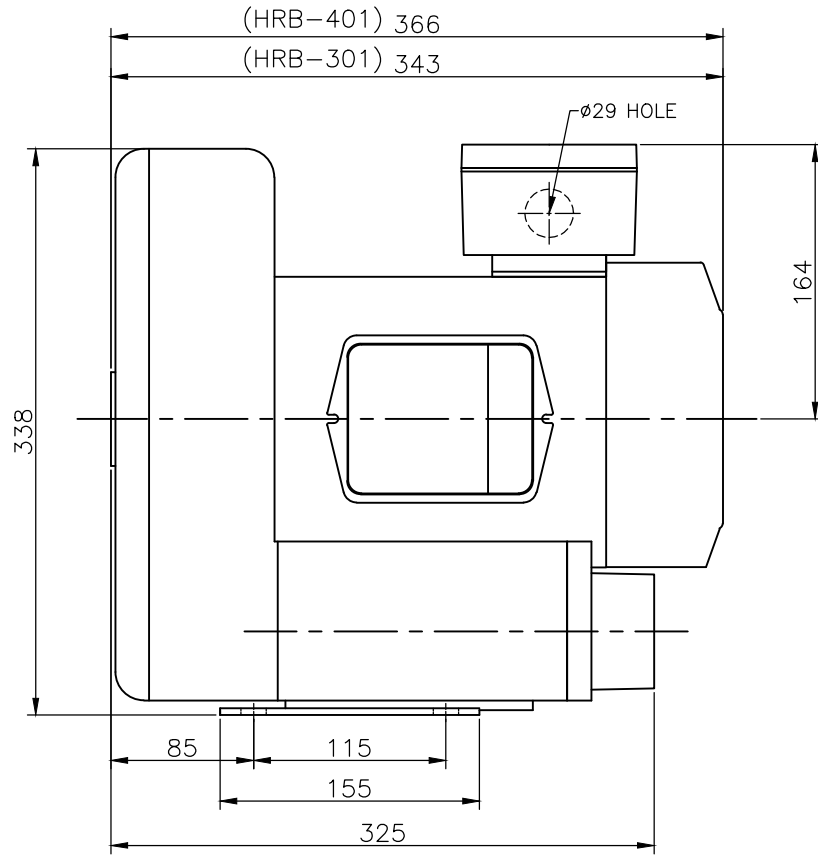


NOTE 1)



△					00					
No.	Revision				Date	Draw	Check	Appr.		
형식 TYPE	HRB-301,401			도명 TITLE	OUTWARD DWG.					
DRAWN	DESIGN	CHECKED	APPROVED	3RD ANGLE	SCALE:1/1	UNIT:mm				
B.S.Kim				SIZE						
12.04.22										
黃海電機 HWANG HAE ELECTRIC				도번 DWG. No	BOD00000		△			