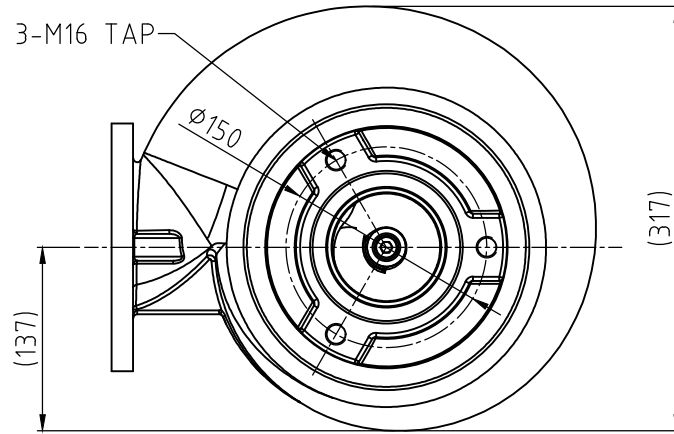
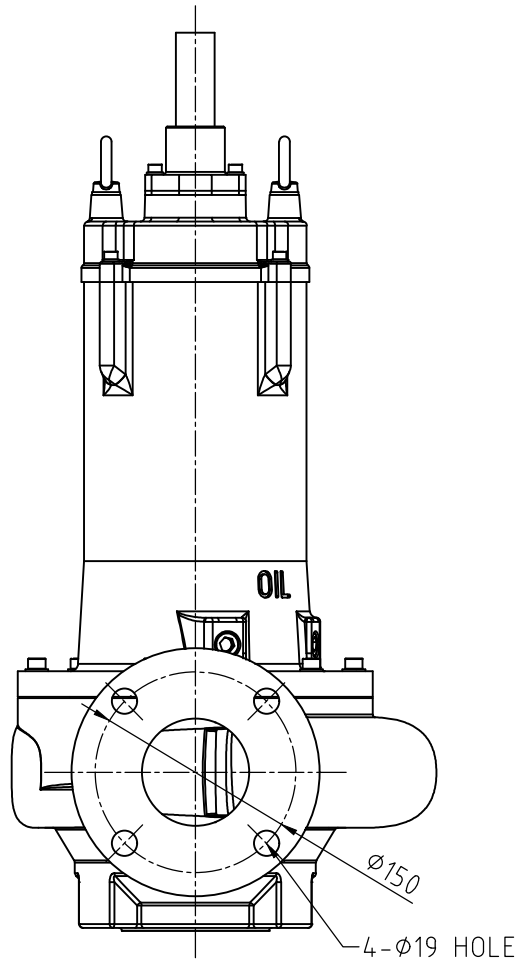
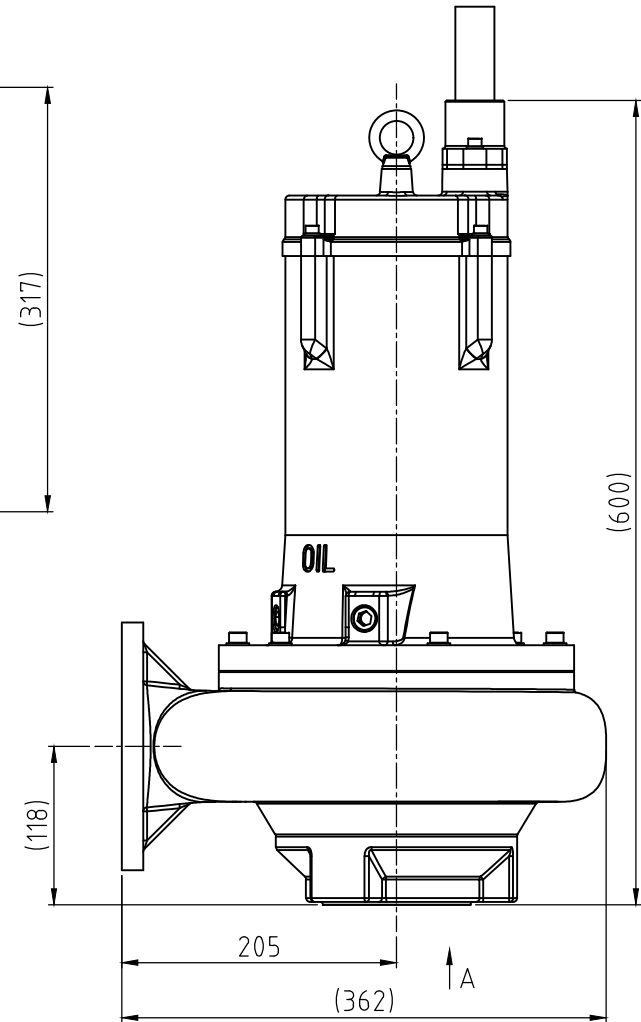



NOTE 1) 2.2kW 4P (80-80) 적용  
 2) 윤활유: TUNBINE OIL / ISO VG32 - 500ml

No.	PART NAME	MATERIAL	Q't'y	SIZE	REMARK
01					
02					



VIEW 'A'



형식 TYPE	고효율 저진동 단일채널 수중펌프				도명 TITLE	외형도 (Outline Drawing)	
DRAWN	DESIGN	CHECKED	APPROVED	3RD ANGLE	SCALE:1/NS	UNIT:mm	
H.S.Noh						HWP80-2.2 4P	
20.02.14						SIZE (80-80)	
 黃海電機 HWANG HAE ELECTRIC				도번 DWG. No.	POD00020		