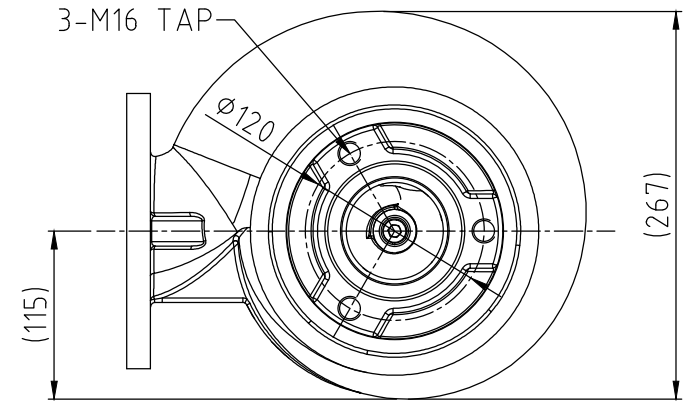
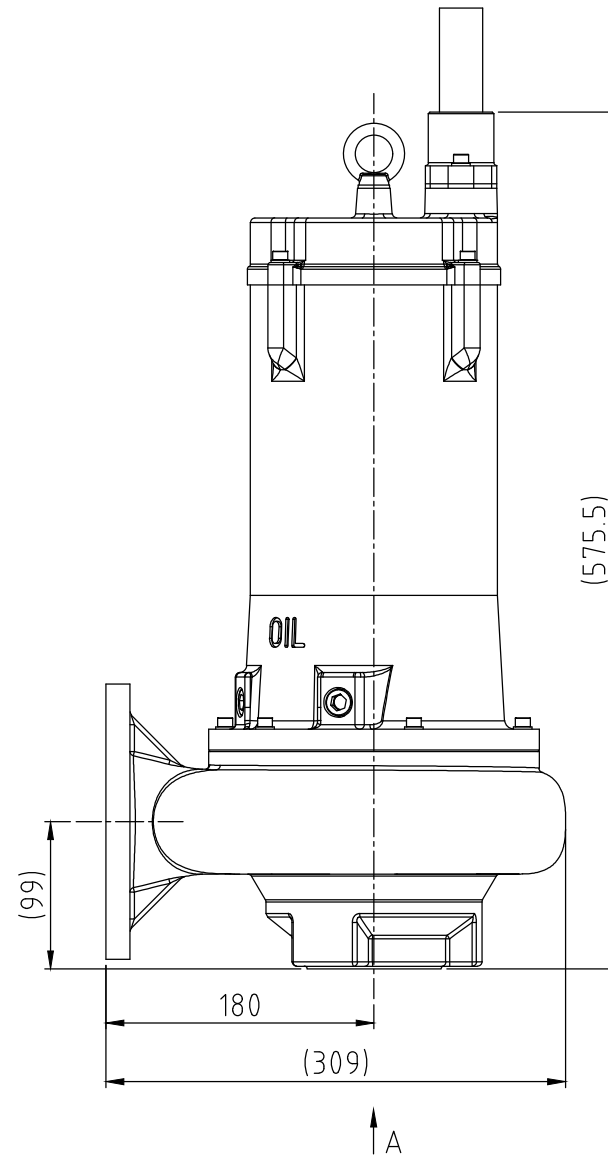
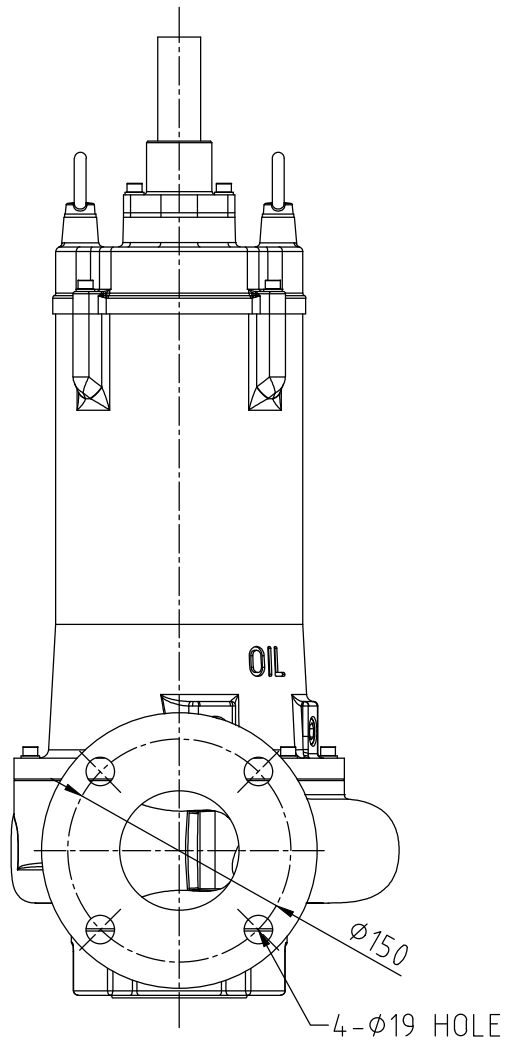


NOTE 1) 3kw 2P (65-80) 적용  
 2) 윤활유: TUNBINE OIL / ISO VG32 - 500ml

No.	PART NAME	MATERIAL	Q't'y	SIZE	REMARK
01					



VIEW 'A'

형식 TYPE	고효율 저진동 단일채널 수중펌프			도명 TITLE	외형도 (Outline Drawing)	
DRAWN	DESIGN	CHECKED	APPROVED	3RD ANGLE	SCALE:1/NS	UNIT:mm
H.S.Noh				SIZE	HWP80-3.0 2P (65-80)	
20.02.14				도번 DWG. No.	POD00016	
黃海電機 HWANG HAE ELECTRIC						